

High Frequency Ceramic Solutions

2.45 / 5.4GHz Low Loss Ceramic Chip Diplexer (LPF/BPF type)

P/N 2450DP15L5400

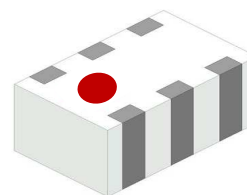
Detail Specification: 4/6/2021

Page 1 of 4

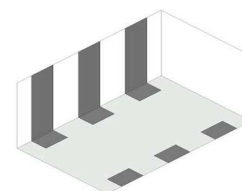
Not exactly what you are looking for and want to see our other diplexers? Go to: <https://www.johansontechnology.com/diplexers>

General Specifications

Part Number	2450DP15L5400	
Passband (MHz)	2400-2500	4900-5950
Insertion Loss (dB)	0.25 typ.(0.5 max.)	0.35 typ.(0.65 max.)
Return Loss (dB)	20 typ.(10 min.)	15 typ.(10 min.)
Attenuation (dB)	27 typ. (20 min.) @ 4.8-6.0GHz	23 typ. (20 min.) @ 0.8-2.5GHz
	30 typ. (20 min.) @ 7.2-7.5GHz	18 typ. (15 min.) @ 9.8-11.9GHz
Isolation (dB)	22 typ. (20 min.) @ DC-2.5GHz	27 typ. (20 min.) @ 4.9-5.95GHz
Power Capacity (W)	2 max. (CW)	
Operating Temp.	-40 to +85 °C	
Recommended Storage Conditions and Period for Unused Product on T&R	+5°C to +35°C Humidity 45 - 75% RH 18 months max.	
Reel Quantity (pcs/reel)	4,000	



Top



Bottom

Note: This component is identical to p/n: 2450DP15K5400 except that the 2.4G and 5G pins are swapped in functionality and has a round top red mark for distinction.

Part Number Explanation

P/N Suffix	Packing Style	Bulk (loose pcs.)	Suffix = S	e.g. 2450DP15L5400S
		T & R	Suffix = E	e.g. 2450DP15L5400E
		100% Tin	Suffix = None	e.g. 2450DP15L5400(E or S)
	Evaluation Board	2450DP15L5400-EB1SMA		

Mechanical Dimensions

	In	mm
L	0.079 ± 0.004	2.00 ± 0.10
W	0.049 ± 0.004	1.25 ± 0.10
T	0.020 ± 0.004	0.50 ± 0.10
a	0.012 ± 0.004	0.30 ± 0.10
b	0.008 ± 0.004	0.20 ± 0.10
c	0.012 +.004/-.008	0.30 +0.1/-0.2
g	0.014 ± 0.004	0.35 ± 0.10
p	0.026 ± 0.002	0.65 ± 0.05

Terminal Configuration

No.	Function	No.	Function
1	GND	4	High Freq Band
2	Common Port	5	GND
3	GND	6	Low Freq Band

Johanson Technology, Inc. reserves the right to make design changes without notice.
All sales are subject to Johanson Technology, Inc. terms and conditions.



<https://www.johansontechnology.com>
4001 Calle Tecate • Camarillo, CA 93012 • TEL 805.389.1166 FAX 805.389.1821
Ver. 3.3

2021 Johanson Technology, Inc. All Rights Reserved

High Frequency Ceramic Solutions

2.45 / 5.4GHz Low Loss Ceramic Chip Diplexer (LPF/BPF type)

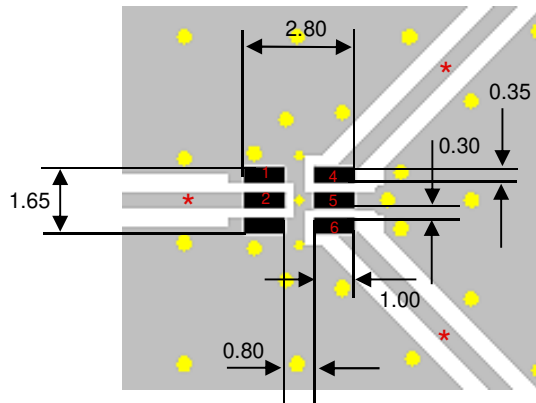
P/N 2450DP15L5400

Detail Specification: 4/6/2021

Page 2 of 4

Mounting Considerations

Units in mm



■ Solder Resist

■ Land

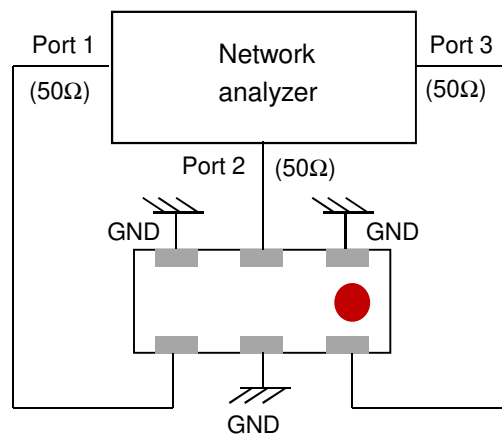
● Through-hole ($\phi 0.35$)

● Through-hole ($\phi 0.2$)

* Line width should be designed to maintain 50 Ω characteristic impedance (CPWG preferred), depending on PCB material and thickness.

Need help with the layout, s-parameters, simulation, or design validation?
Send us a message at: <https://www.johansontechnology.com/ask-a-question>

Measuring Diagram



Johanson Technology, Inc. reserves the right to make design changes without notice.
All sales are subject to Johanson Technology, Inc. terms and conditions.

High Frequency Ceramic Solutions

2.45 / 5.4GHz Low Loss Ceramic Chip Diplexer (LPF/BPF type)

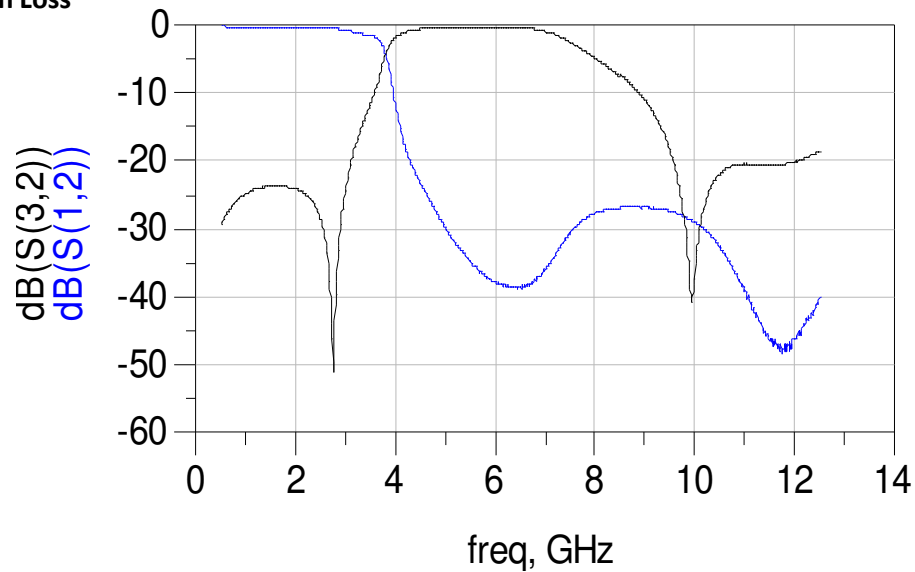
P/N 2450DP15L5400

Detail Specification: 4/6/2021

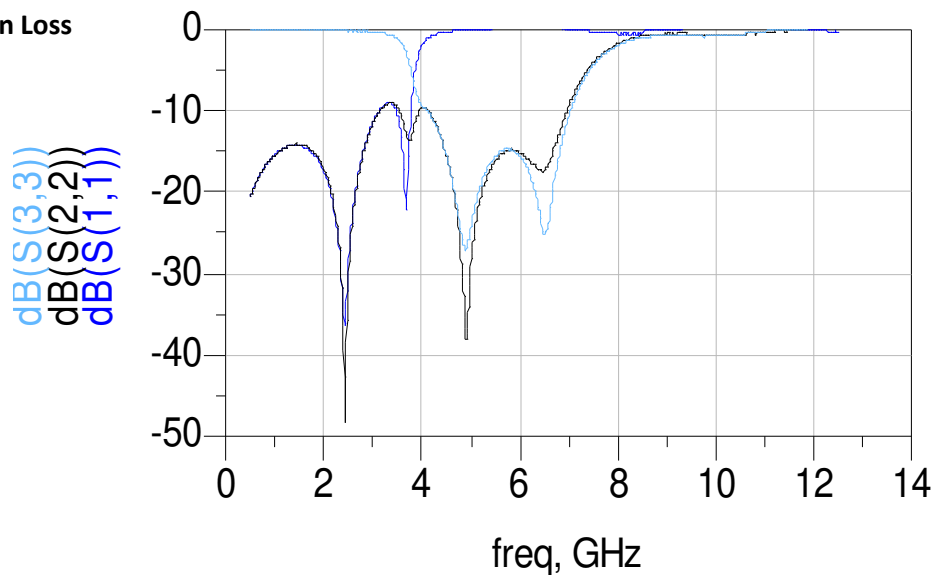
Page 3 of 4

Typical Electrical Characteristics (T=25 °C)

Insertion Loss



Return Loss



Johanson Technology, Inc. reserves the right to make design changes without notice.
All sales are subject to Johanson Technology, Inc. terms and conditions.



High Frequency Ceramic Solutions

2.45 / 5.4GHz Low Loss Ceramic Chip Diplexer (LPF/BPF type)

P/N 2450DP15L5400

Detail Specification: 4/6/2021

Page 4 of 4

Application Notes, Layout Files, and more

<https://www.johansontechnology.com/diplexers>

Packaging information

<https://www.johansontechnology.com/tape-reel-packaging>

Soldering Information

<https://www.johansontechnology.com/ipcsoldering-profile>

MSL Info

<https://www.johansontechnology.com/msl-rating>

Recommended Storage Condition and Max Shelf Life

<https://www.johansontechnology.com/recommended-storage-conditions>

RoHS Compliance

<https://www.johansontechnology.com/technical-notes/rohs-compliance>

Antenna layout and tuning techniques

<https://www.johansontechnology.com/tuning.html>

Antenna layout review, tuning, and characterization services

<https://www.johansontechnology.com/ipc-antenna-services>

Johanson Technology, Inc. reserves the right to make design changes without notice.
All sales are subject to Johanson Technology, Inc. terms and conditions.



<https://www.johansontechnology.com>
4001 Calle Tecate • Camarillo, CA 93012 • TEL 805.389.1166 FAX 805.389.1821
Ver. 3.3 2021 Johanson Technology, Inc. All Rights Reserved