

"High Frequency Ceramic Solutions"

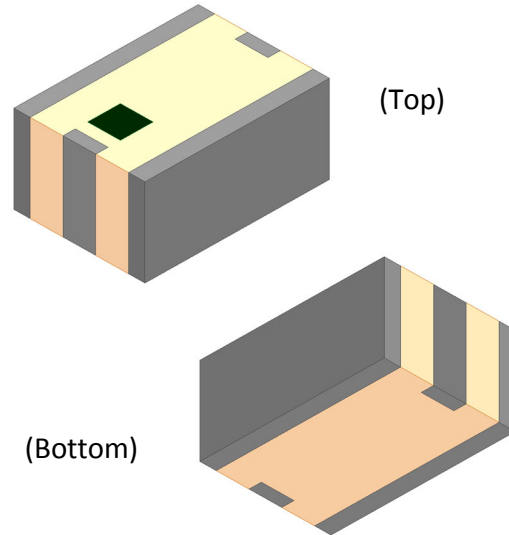
5.69GHz High Rejection UNII-high Band Pass Filter

P/N 5697BP44A0360

Detail Specification: 6/11/2019

Page 1 of 5

General Specifications	
Part Number	5697BP44A0360
Operating Frequency	5490 - 5835 MHz
Insertion loss (dB)	2.2 typ. (2.5 max.)
Return Loss (dB)	9.5 min.
Power Capacity (W)	3 max. (CW)
Reel Quantity (pcs/reel)	1,000
Operating Temperature	-40°C to +85°C
Recommended Storage Conditions for unused T&R product	+5 to +35°C Humidity 45~75%RH 18 months max.



Attenuation (dB)	
2400 - 2500 MHz	35 typ. (30 min.)
5170 - 5330 MHz	42 typ. (40 min.)
10980 - 11670 MHz	30 typ. (25 min.)

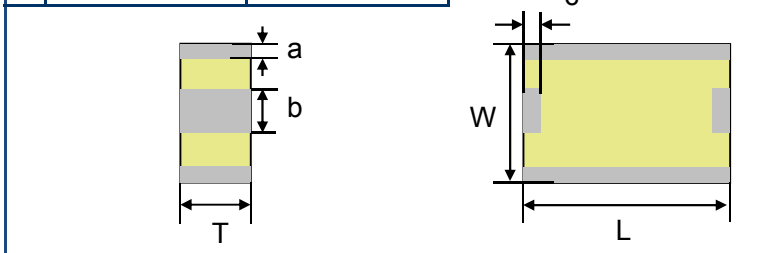
You can download measured s-parameters of this component at: <https://www.johansontechnology.com/band-pass-filters>

Part Number Explanation

P/N Suffix	Packaging Style	Bulk	Suffix = S	E.g. 5697BP44A0360S
		T & R	Suffix = E	E.g. 5697BP44A0360E
	Evaluation Board	50Ω SMA	Suffix = EB1SMA	E.g. 5697BP44A0360-EB1SMA

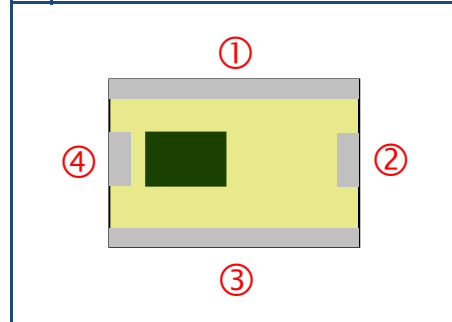
Mechanical Dimensions

	In	mm
L	0.177 ± 0.008	4.50 ± 0.20
W	0.126 ± 0.008	3.20 ± 0.20
T	0.087 max.	2.20 max.
a	0.016 ± 0.008	0.40 ± 0.20
b	0.031 ± 0.008	0.80 ± 0.20
c	0.012 ± 0.006	0.30 ± 0.15



Terminal Configuration

No.	Function
1	GND
2	INPUT / OUTPUT
3	GND
4	INPUT / OUTPUT



Johanson Technology, Inc. reserves the right to make design changes without notice.

All sales are subject to Johanson Technology, Inc. terms and conditions.



<https://www.johansontechnology.com>

4001 Calle Tecate • Camarillo, CA 93012, USA • TEL +1.805.389.1166

Ver. 1.1

2019 Johanson Technology, Inc. All Rights Reserved

"High Frequency Ceramic Solutions"

5.69GHz High Rejection UNII-high Band Pass Filter

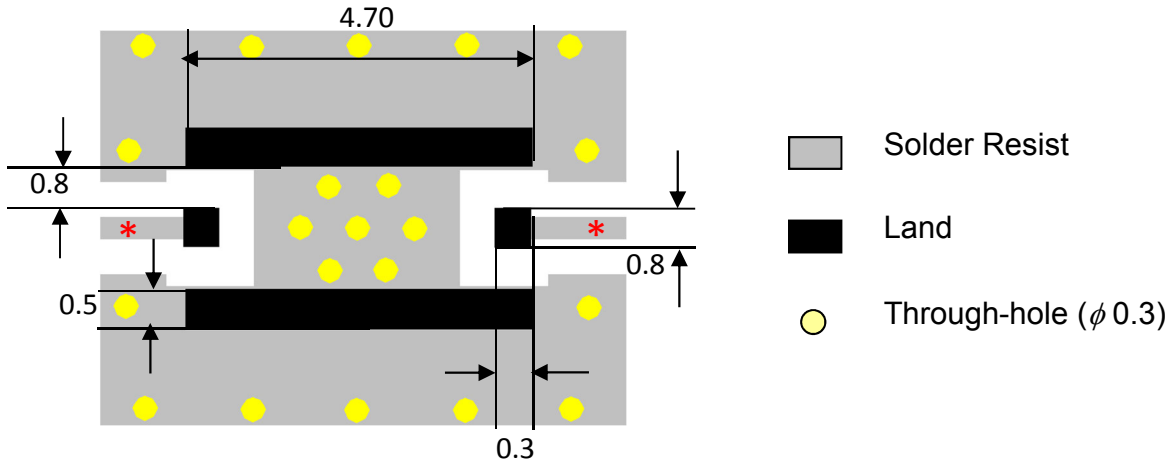
P/N 5697BP44A0360

Detail Specification: 6/11/2019

Page 2 of 5

Mounting Pad Dimensions

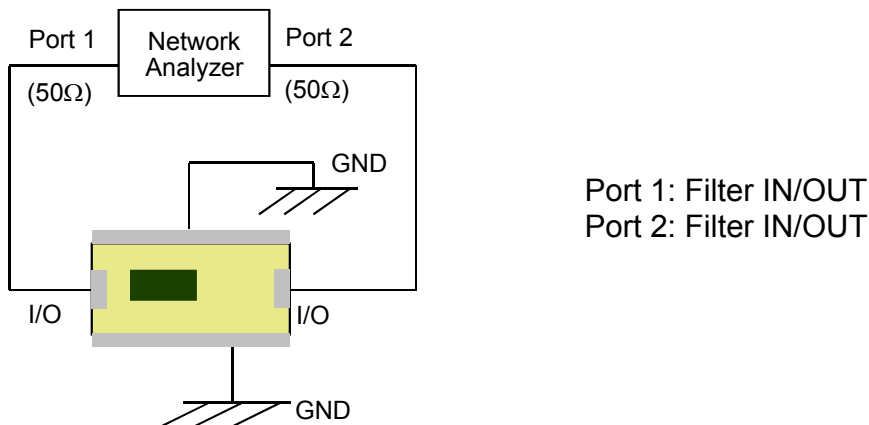
units in mm



*Transmission line width should be designed to match 50 Ω characteristic impedance, depending on PCB material and thickness.

Would you like the layout? Send us a message at: <https://www.johansontechnology.com/ask-a-question>

Measurement Schematic



Johanson Technology, Inc. reserves the right to make design changes without notice.

All sales are subject to Johanson Technology, Inc. terms and conditions.



Ver. 1.1

<https://www.johansontechnology.com>

4001 Calle Tecate • Camarillo, CA 93012, USA • TEL +1.805.389.1166

2019 Johanson Technology, Inc. All Rights Reserved

"High Frequency Ceramic Solutions"

5.69GHz High Rejection UNII-high Band Pass Filter

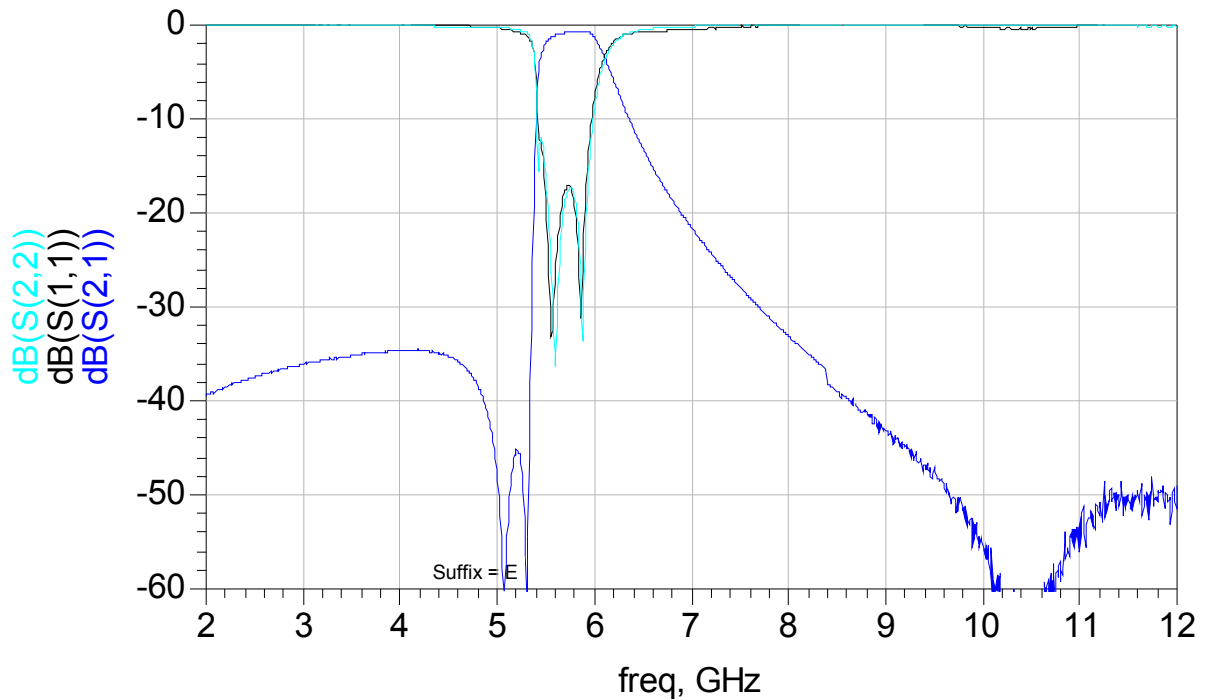
P/N 5697BP44A0360

Detail Specification: 6/11/2019

Page 3 of 5

Typical Electrical Characteristics (T=25°C)

Insertion Loss & Return loss



Do you need the S-parameter file of the above? Send us a message at:
<https://www.johansontechnology.com/ask-a-question>

Johanson Technology, Inc. reserves the right to make design changes without notice.

All sales are subject to Johanson Technology, Inc. terms and conditions.



Ver. 1.1

<https://www.johansontechnology.com>

4001 Calle Tecate • Camarillo, CA 93012, USA • TEL +1.805.389.1166

2019 Johanson Technology, Inc. All Rights Reserved

"High Frequency Ceramic Solutions"

5.69GHz High Rejection UNII-high Band Pass Filter

P/N 5697BP44A0360

Detail Specification: 6/11/2019

Page 4 of 4

Application Notes, Layout Files, and more

<https://www.johansontechnology.com/band-pass-filters>

Packaging information

<https://www.johansontechnology.com/tape-reel-packaging>

Soldering Information

<https://www.johansontechnology.com/ipcsoldering-profile>

MSL Info

<https://www.johansontechnology.com/msl-rating>

Recommended Storage Condition and Max Shelf Life

<https://www.johansontechnology.com/recommended-storage-conditions>

RoHS Compliance

<https://www.johansontechnology.com/technical-notes/rohs-compliance>

Antenna layout and tuning techniques

<https://www.johansontechnology.com/tuning.html>

Antenna layout review, tuning, and characterization services

<https://www.johansontechnology.com/ipc-antenna-services>

Johanson Technology, Inc. reserves the right to make design changes without notice.

All sales are subject to Johanson Technology, Inc. terms and conditions.



Ver. 1.1

<https://www.johansontechnology.com>

4001 Calle Tecate • Camarillo, CA 93012, USA • TEL +1.805.389.1166

2019 Johanson Technology, Inc. All Rights Reserved