

# High Frequency Ceramic Solutions

1.8 - 5.0GHz Wideband Ceramic Balun, 1:2 Impedance Ratio, EIA 0805

P/N 3400BL15A0100

Detail Specification: 7/31/2020

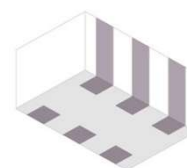
Page 1 of 4

## General Specifications

Part Number	3400BL15A0100
Frequency (GHz)	1.8 - 5.0
Unbalanced Impedance ( $\Omega$ )	50
Balanced Impedance ( $\Omega$ )	100
Insertion Loss (dB)	0.81 typ. / 1.0 max.
Return Loss (dB)	15.9 typ. / 10 min.
Phase Difference (degree)	180 $\pm$ 8 typ. / 180 $\pm$ 12
Amplitude Difference (dB)	0.8 typ. / 1.3 max.
CMRR (dB)	22.9 typ. / 18 min.
Power Capacity (W)	3 max. (CW)
Reel Quantity (pcs)	4,000
Operating Temperature	-40 to +85°C



(Top)



(Bottom)

**Recommended Storage Conditions of unused product on T&R**

+5 to +35°C  
Humidity 45~75% RH  
18 months max.

You can download measured s-parameters of this component at: <https://www.johansontechnology.com/baluns>

## Part Number Explanation

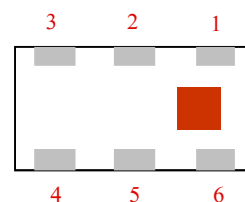
P/N Suffix	Packing Style	Bulk	Suffix = S	E.g. 3400BL15A0100S
		T & R	Suffix = E	E.g. 3400BL15A0100E
	Termination style	100% Tin	Suffix = None	E.g. 3400BL15A0100 (E or S)
	Evaluation Board	3400BL15A0100-EB1SMA (3 female SMA connectors)		

## Mechanical Dimensions

	In	mm
L	0.079 $\pm$ 0.004	2.00 $\pm$ 0.10
W	0.049 $\pm$ 0.004	1.25 $\pm$ 0.10
T	0.037 $\pm$ 0.004	0.95 $\pm$ 0.10
a	0.012 $\pm$ 0.004	0.30 $\pm$ 0.10
b	0.008 $\pm$ 0.004	0.20 $\pm$ 0.10
c	0.012 +0.004/0.008	0.30 +0.1/-0.2
g	0.014 $\pm$ 0.004	0.35 $\pm$ 0.10
p	0.026 $\pm$ 0.002	0.65 $\pm$ 0.05

## Terminal Configuration

1	Unbalanced Port
2	GND or DC feed + RF GND
3	Balanced Port
4	Balanced Port
5	GND
6	NC



Johanson Technology, Inc. reserves the right to make design changes without notice.  
All sales are subject to Johanson Technology, Inc. terms and conditions.



<https://www.johansontechnology.com>

4001 Calle Tecate • Camarillo, CA 93012, USA • TEL +1.805.389.1166

Ver 1.0

2020 Johanson Technology, Inc. All Rights Reserved

# High Frequency Ceramic Solutions

1.8 - 5.0GHz Wideband Ceramic Balun, 1:2 Impedance Ratio, EIA 0805

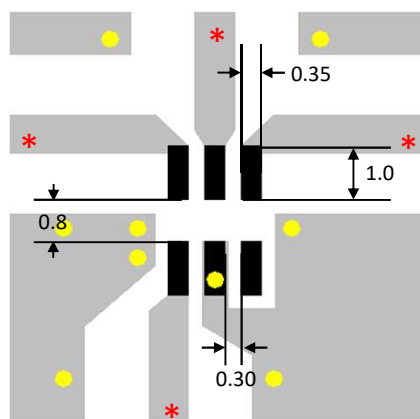
P/N 3400BL15A0100

Detail Specification: 7/31/2020

Page 2 of 4

## Mounting Considerations

Mount these devices with colored mark facing up.



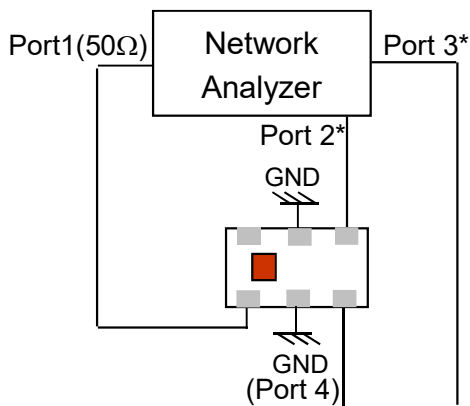
\* Line width should be designed to match 50Ω characteristic impedance, depending on PCB

Units: mm

Need our help laying this out for you? Need the layout file?

Send us a message at: <https://www.johansontechnology.com/ask-a-question>

## Measuring Diagram



Port 1: Unbalanced Port  
 Ports 2 and 3: Balanced Port  
 Port 4: GND or DC feed + RF GND  
 $IL = S_{ds21}$   
 $RL = S_{ss11}$   
 $Amp\_balance = dB(S(2,1)/S(3,1))$   
 $Phase\_balance = Phase(S(2,1)/S(3,1))$

\*Impedance for ports 2 and 3 = Balanced Impedance/2

Johanson Technology, Inc. reserves the right to make design changes without notice.  
 All sales are subject to Johanson Technology, Inc. terms and conditions.



<https://www.johansontechnology.com>

4001 Calle Tecate • Camarillo, CA 93012, USA • TEL +1.805.389.1166

Ver 1.0

2020 Johanson Technology, Inc. All Rights Reserved

# High Frequency Ceramic Solutions

1.8 - 5.0GHz Wideband Ceramic Balun, 1:2 Impedance Ratio, EIA 0805

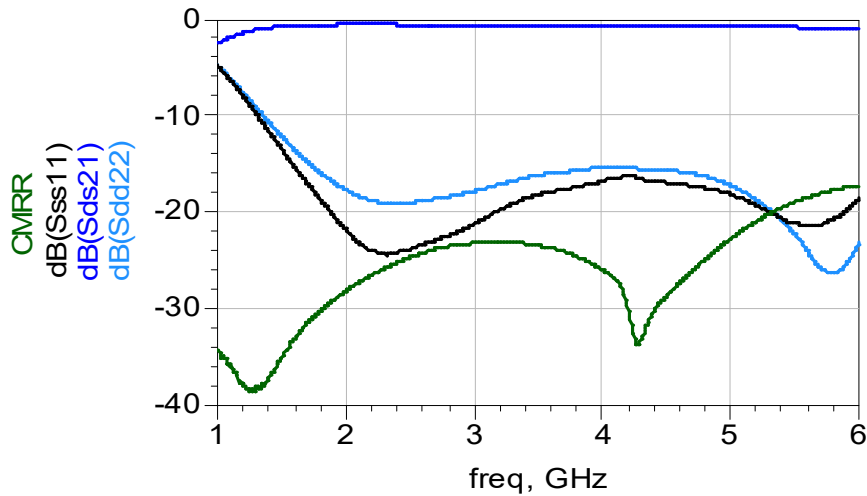
P/N 3400BL15A0100

Detail Specification: 7/31/2020

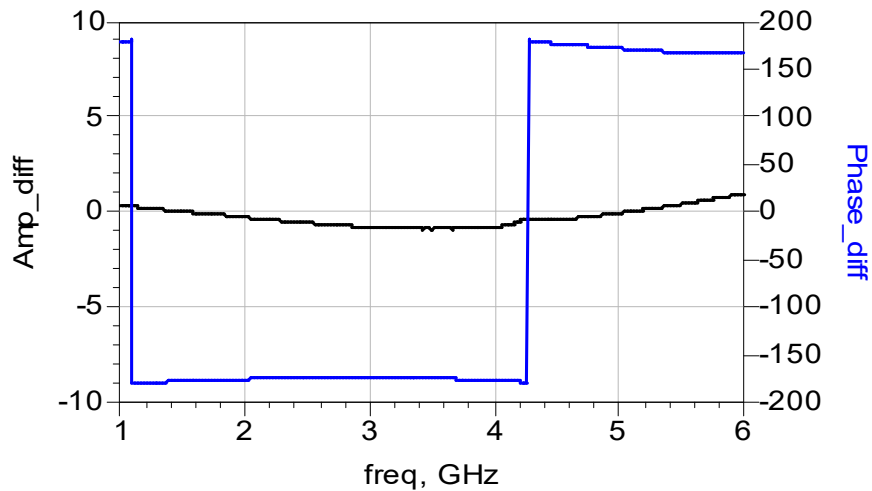
Page 3 of 4

## Typical Electrical Characteristics (T=25°C)

### Insertion and Return Loss



### Amplitude and Phase Balance



Would you like the s-parameter files? Please contact us at: <https://www.johansontechnology.com/ask-a-question>

Johanson Technology, Inc. reserves the right to make design changes without notice.

All sales are subject to Johanson Technology, Inc. terms and conditions.



<https://www.johansontechnology.com>

4001 Calle Tecate • Camarillo, CA 93012, USA • TEL +1.805.389.1166

Ver 1.0

2020 Johanson Technology, Inc. All Rights Reserved

# High Frequency Ceramic Solutions

1.8 - 5.0GHz Wideband Ceramic Balun, 1:2 Impedance Ratio, EIA 0805

P/N 3400BL15A0100

Detail Specification: 7/31/2020

Page 4 of 4

## More Baluns

<https://www.johansontechnology.com/baluns>

## RoHS Compliance

<https://www.johansontechnology.com/rohs-compliance>

## Packaging information

<https://www.johansontechnology.com/tape-reel-packaging>

## Soldering Information (i.e. recommended profile)

<https://www.johansontechnology.com/ipcsoldering-profile>

## Layout Files, s-parameters and any other technical questions

<https://www.johansontechnology.com/ask-a-question>

## MSL Info

<https://www.johansontechnology.com/msl-rating>

## Recommended Storage Condition and Max Shelf Life

<https://www.johansontechnology.com/recommended-storage-conditions>

## Antenna layout and tuning techniques

<https://www.johansontechnology.com/tuning>

## Antenna layout review, tuning, and characterization services

<https://www.johansontechnology.com/ipc-antenna-services>

Johanson Technology, Inc. reserves the right to make design changes without notice.

All sales are subject to Johanson Technology, Inc. terms and conditions.



<https://www.johansontechnology.com>

4001 Calle Tecate • Camarillo, CA 93012, USA • TEL +1.805.389.1166

Ver 1.0

2020 Johanson Technology, Inc. All Rights Reserved