

"High Frequency Ceramic Solutions"

LNB Diplexer, 1175/1925 MHz, EIA 1210, SMD

P/N 1175DP41A1925

Detail Specification: 2/11/2014

Page 1 of 4

General Specifications

Part Number	1175DP41A1925			
Center Freq. (MHz)	1175	1925		
Passband (MHz)	900-1450	1650-2200		
Insertion Loss (dB)	1.65 typ/2.2 max. (25°C) 2.5 max. (-40to+ 25°C)	1.68 typ/2.2 max. (25°C) 2.5 max. (-40to+ 25°C)		
Return Loss	-9.5 dB (min)	-9.5 dB (min)		
Attenuation (db)	33 typ (25 min.) @ 1650 to 2200MHz	30 typ (24 min.) @ 900 to 1450MHz	Impedance	50Ω (Terminals 1, 3, and 5)
Ripple (db)	1.41 typ. (1.6 max.) @ 900 to 1450MHz 25MHz Ripple: 0.28 typ. (0.40max)	1.06 typ. (1.6 max.) @ 1650-2200MHz 25MHz Ripple: 0.22 typ. (0.40max)	Power Capacity	500mW max. (CW)
Recommended Storage Cond.	+5 to +35 °C, Humidity 45 to 75%RH		Storage Period	18 months max.
			Reel Quantity	2,000
			Operating Temperature Range	-40°C to +85°C

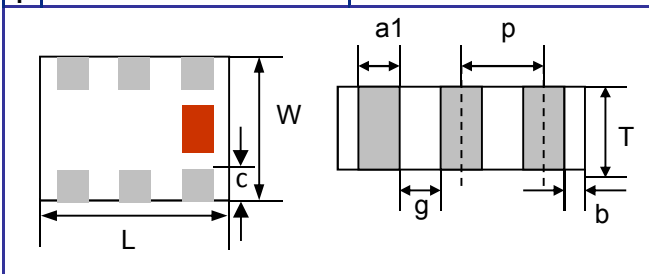


Part Number Explanation

P/N Suffix	Packing Style	Bulk	Suffix = S	eg. 1175DP41A1925S
		T & R (2000pcs)	Suffix = E	eg. 1175DP41A1925E
	Termination style	100% Tin	Suffix = None	eg. 1175DP41A1925(E or S)
	Evaluation Board	1175DP41A1925-EBSMA		

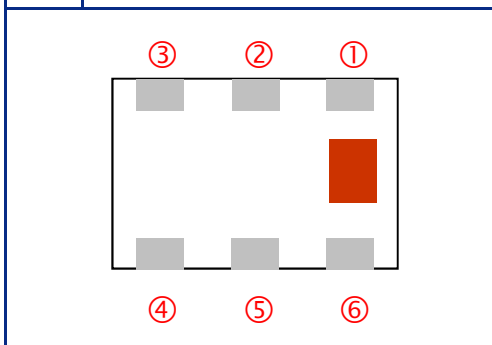
Mechanical Dimensions

	In	mm
L	0.126 ± 0.008	3.20 ± 0.20
W	0.098 ± 0.008	2.50 ± 0.20
T	0.039 max.	1.00 max.
a	0.022 ± 0.006	0.55 ± 0.15
b	0.004 min.	0.1 min.
c	0.016 ± 0.004/0.00	0.40 ± 0.1 /-0.2
g	0.018 ± 0.006	0.45 ± 0.15
p	0.039 ± 0.004	1.00 ± 0.10



Terminal Configuration

No.	Function
1	(HPF) Higher Freq. Port
2	GND
3	(LPF) Lower Freq. Port
4	GND
5	Common Port
6	GND



"High Frequency Ceramic Solutions"

LNB Diplexer, 1175/1925 MHz, EIA 1210, SMD

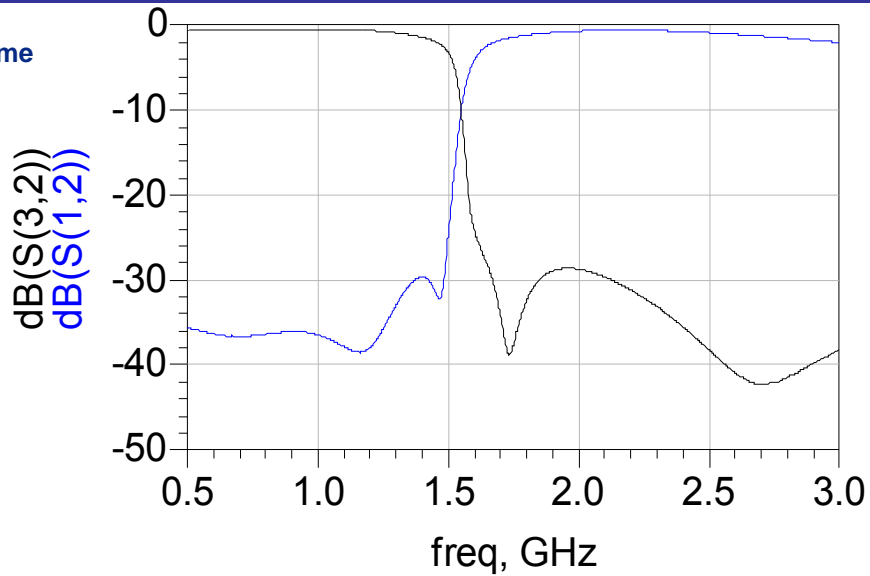
P/N 1175DP41A1925

Detail Specification: 2/11/2014

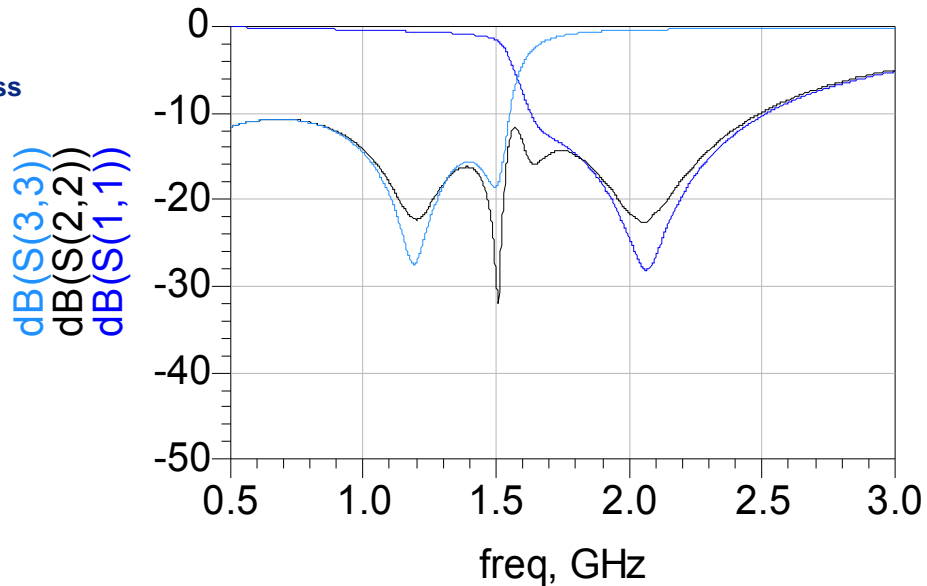
Page 2 of 4

Typical Electrical Performance (T=25°C)

Attenuation
LPF/HPF Scheme



Return Loss



The contents of this data sheet are subject to change without notice. Please confirm the specifications and delivery conditions when placing your order. All sales are subject to Johanson Technology, Inc. terms and conditions.



www.johansontechnology.com

4001 Calle Tecate • Camarillo, CA 93012 • TEL 805.389.1166 FAX 805.389.1821

Ver. 1.2

2014 Johanson Technology, Inc. All Rights Reserved

"High Frequency Ceramic Solutions"

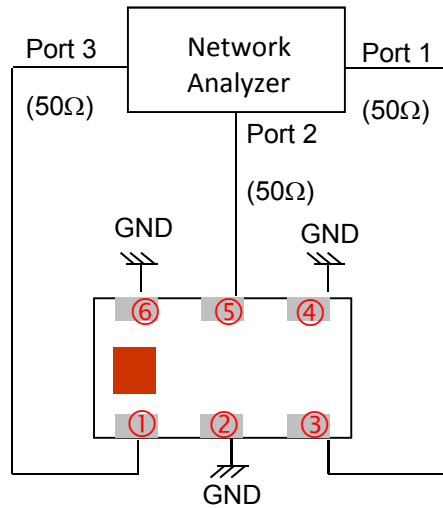
LNB Diplexer, 1175/1925 MHz, EIA 1210, SMD

P/N 1175DP41A1925

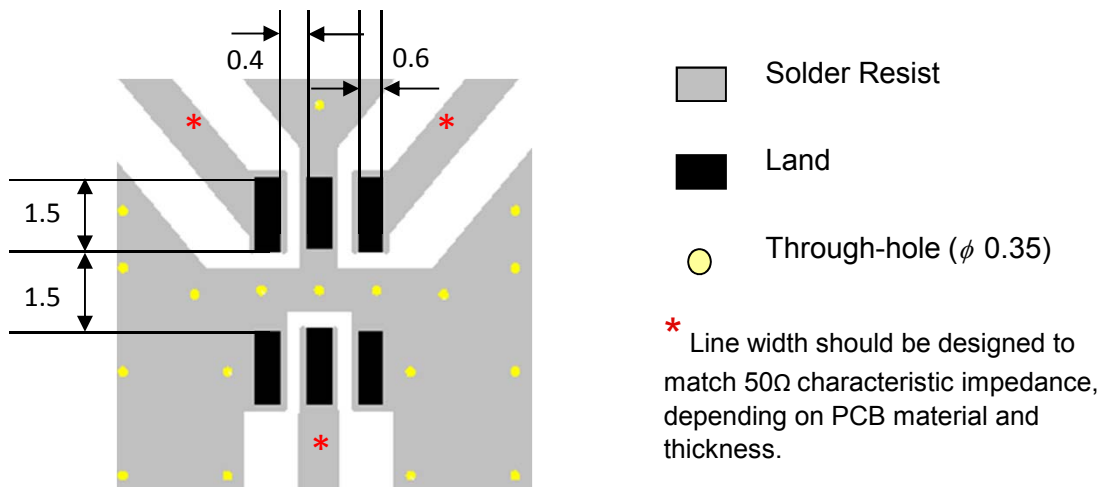
Detail Specification: 2/11/2014

Page 3 of 4

Measuring Diagram



Mounting Considerations



The contents of this data sheet are subject to change without notice. Please confirm the specifications and delivery conditions when placing your order. All sales are subject to Johanson Technology, Inc. terms and conditions.



"High Frequency Ceramic Solutions"

LNB Diplexer, 1175/1925 MHz, EIA 1210, SMD

P/N 1175DP41A1925

Detail Specification: 2/11/2014

Page 3 of 4

More Diplexers

www.johansontechnology.com/diplexers

RoHS Compliance

www.johansontechnology.com/technical-notes/rohs-compliance.html

Packaging information

www.johansontechnology.com/ipcpackaging.html

Soldering Information

www.johansontechnology.com/ipcsoldering-profile

Layout Files, s-parameters and any other technical questions

www.johansontechnology.com/component/techquestion/?Itemid=407

MSL Info

www.johansontechnology.com/technical-notes/msl-rating.html

Recommended Storage Condition and Max Shelf Life

www.johansontechnology.com/ipcstorage-shelflife

Antenna layout and tuning techniques

www.johansontechnology.com/tuning

Antenna layout review, tuning, and characterization services

www.johansontechnology.com/ipcantennaservices

The contents of this data sheet are subject to change without notice. Please confirm the specifications and delivery conditions when placing your order. All sales are subject to Johanson Technology, Inc. terms and conditions.

