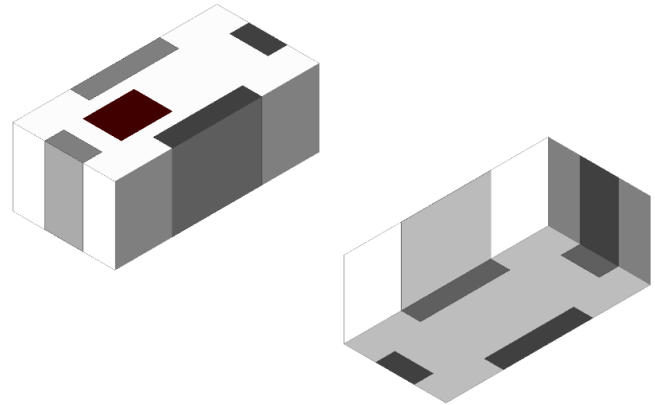


2.45 GHz Low Pass Filter

- 2400 - 2500 MHz pass band
- Low insertion loss
- SMD, EIA 0603 (1.6 x 0.8 x 0.6 mm)
- 3W Max. power rating
- RoHS compliant
- AEC-Q200 qualified available



General Specifications^{1 2}

Insertion Loss (dB)	2400 - 2500 MHz	0.36 Typ.	0.45 Max.
Return Loss (dB)	2400 - 2500 MHz	36.0 Typ.	12 Min.
Attenuation (dB)	4800 - 5000 MHz	40.7 Typ.	35 Min.
	7200 - 7500 MHz	48.3 Typ.	35 Min.

Maximum Ratings

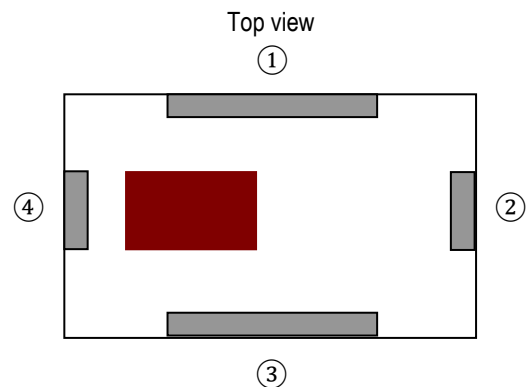
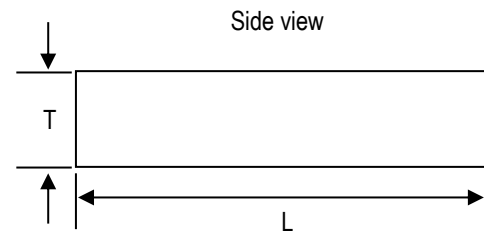
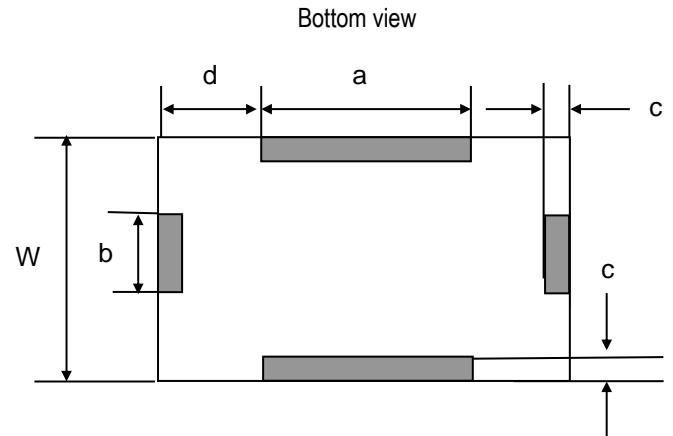
Power Capacity (W)	3 Max. (CW)
Operating Temperature (°C)	-40 to +85
Recommended Storage Conditions post-installation (°C)	-40 to +85
Recommended Storage Conditions and Period for Unused T&R Product	45% - 75% RH +5 to +35 °C 18 Months Max.

¹ Typical value represents average measurement at 25°C. Min./Max. values represent measurements over specified operating temperature.

² General specifications measured on Johanson's evaluation board P/N 2450LP14C0100001CE1.

Mechanical Dimensions

	Inches			Millimeters		
L	0.063	±	0.004	1.6	±	0.10
W	0.031	±	0.004	0.8	±	0.10
T	0.024	±	0.004	0.6	±	0.10
a	0.028	±	0.006	0.7	±	0.15
b	0.012	±	0.004	0.3	±	0.10
c	0.006	±	0.004	0.15	±	0.10
d	0.018	±	0.006	0.45	±	0.15



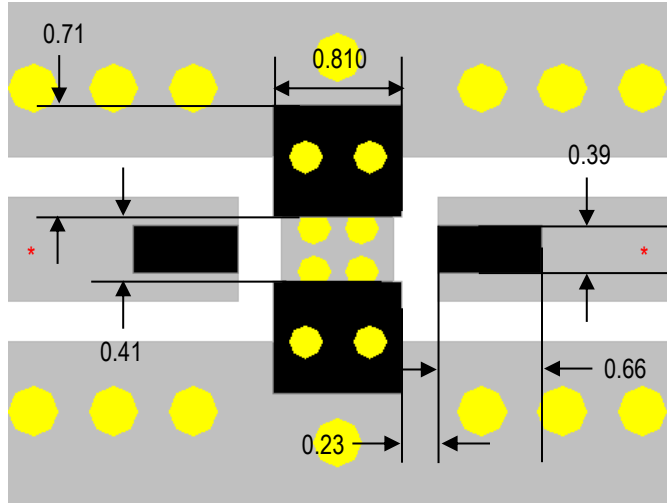
Terminal Configuration³

Pin Number	Function
1	GND
2	INPUT/OUTPUT
3	GND
4	INPUT/OUTPUT




³ The termination type is Nickel Tin. Go to: <https://www.johansontechnology.com/ipcsoldering-profile> for Typical Soldering Profile.

Recommended PCB Configuration

Note: Mount device with colored mark facing up.



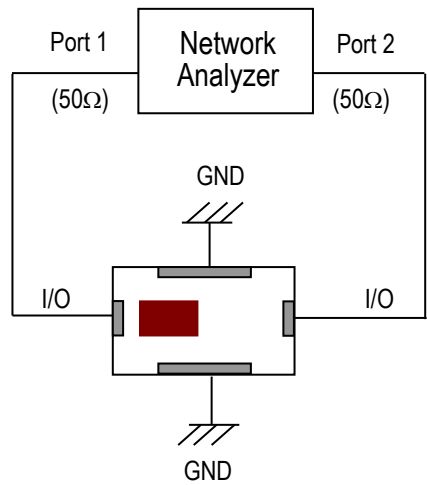
Units in mm

-  Solder Resist
-  Land
-  Through-hole ($\phi 0.355$)

* Transmission line width should be designed to match 50 Ω characteristic impedance, depending on PCB material and thickness.

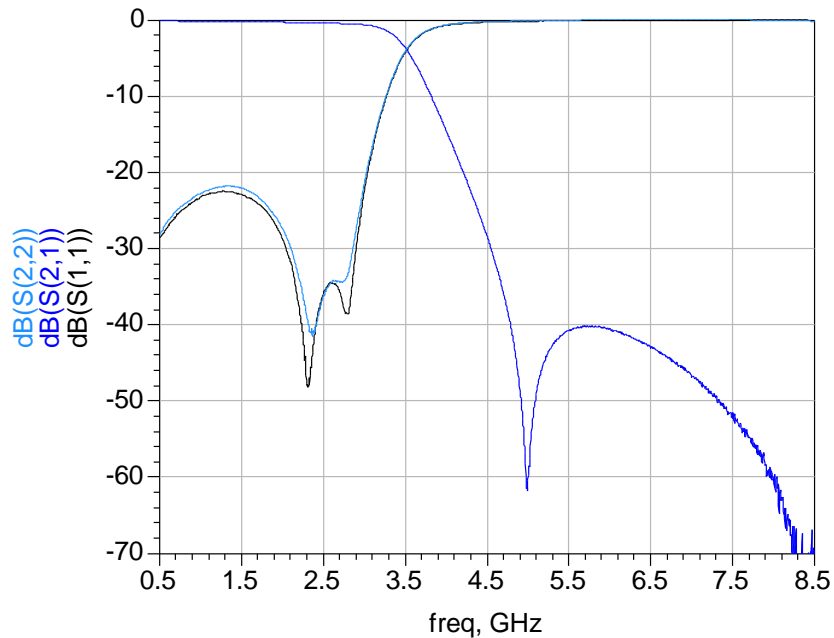
If you'd like the CAD PCB layout or have any questions,
contact our application engineers at <https://www.johansontechnology.com/ask-a-question>

Measuring Diagram



RF Measurement (T = 25°C)

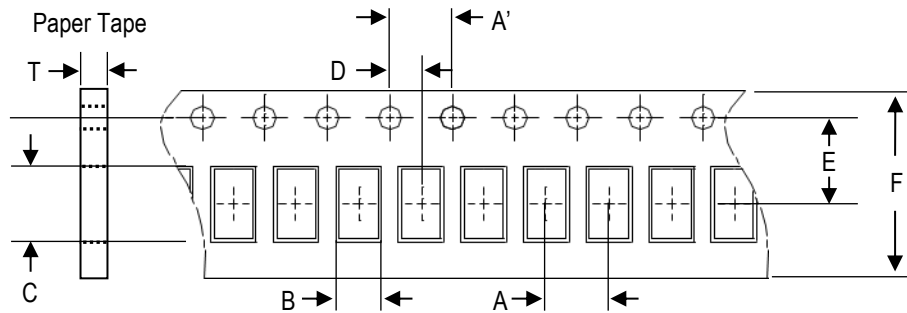
Insertion Loss, Return Loss



S-parameter and layout file available upon request. Please contact us at <https://www.johansontechnology.com/ask-a-question>

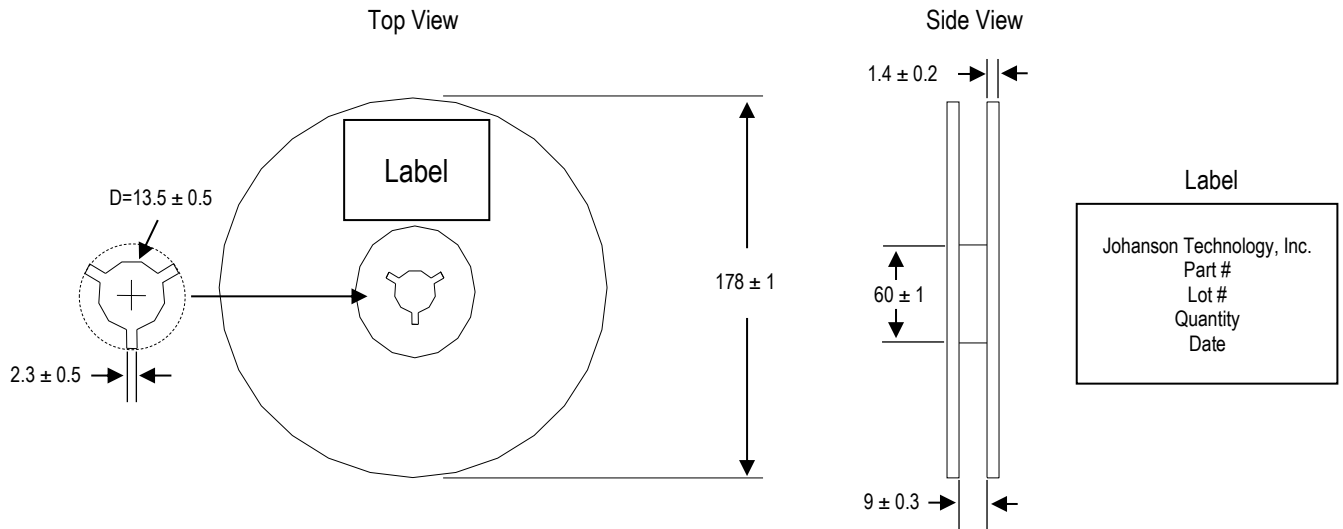
Tape and Reel Specification (Units in mm)

Tape Dimensions

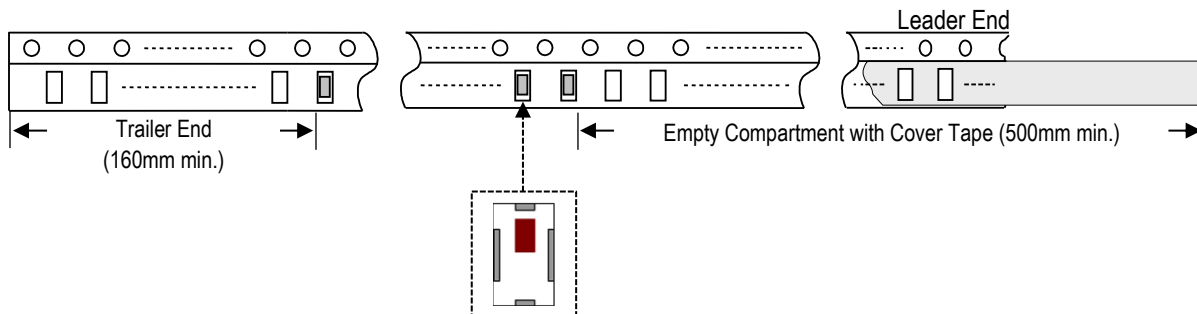


A	A'	B	C	D	E	F	T	Quantity/reel	Tape material
4.0±0.1	4.0±0.1	1.1±0.05	1.92±0.05	2.0±0.05	3.5±0.05	8.0±0.1	0.8±0.05	4,000pcs.	Paper

Reel Dimensions



Leader and Trailer Dimensions



Orderable Part Numbers

Packaging Style	Part Number	Termination
Bulk (loose pcs.)	2450LP14C0100001B	Nickel Tin
T & R (7" Reel Paper Tape)	2450LP14C0100001T (Qty: 4,000 pcs/reel)	
Evaluation Board with 2 SMA Connectors	2450LP14C0100001CE1	

Important Links

[2450LP14C0100001T Product Page](#)

[More Low Pass Filters](#)

[Antenna Tuning, Optimization, and Validation Services](#)

[Soldering Information](#)

[MSL Information](#)

[Packaging Information](#)

[Recommended Storage Condition and Max Shelf Life](#)

[RoHS Compliance](#)

**Johanson Technology, Inc. reserves the right to make design changes without notice.
All sales are subject to Johanson Technology, Inc. terms and conditions.**