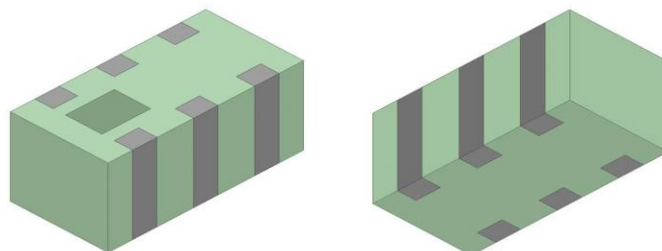


1224/1572 MHz GNSS Diplexer

- 1164-1285 & 1539-1606 MHz operational bands
- Multi-band GNSS applications
- SMD, EIA 0805
- RoHS compliant



General Specifications¹

Passband Frequency (MHz)	1164 - 1285	1539 - 1606
Insertion Loss (dB)	1.0 Max	1.0 Max
Return Loss (dB)	10 Min.	10 Min.
Group Delay Ripple (ns)	1.0 Max	1.0 Max
Isolation (dB)	20 Min.	20 Min.
Attenuation (dB)	20 Min. @1539 – 1606 MHz	20 Min. @1164 – 1285 MHz

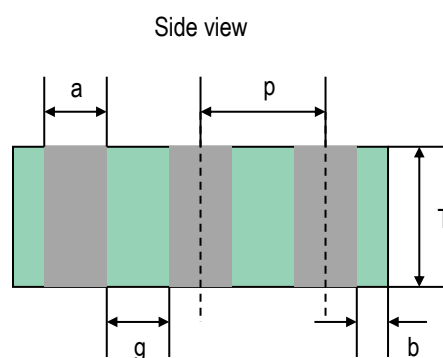
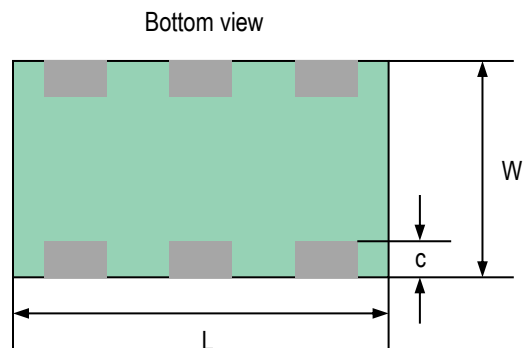
Maximum Ratings

Power Capacity (W)	1 Max. (CW)
Operating Temperature (°C)	-40 to +105
Recommended Storage Conditions post-installation (°C)	-40 to +105
Recommended Storage Conditions and Period for Unused T&R Product	45% - 75% RH +5 to +35 °C 18 Months Max.

¹ General specifications measured on Johanson's evaluation board P/N 1224DP15A1572001CE1.

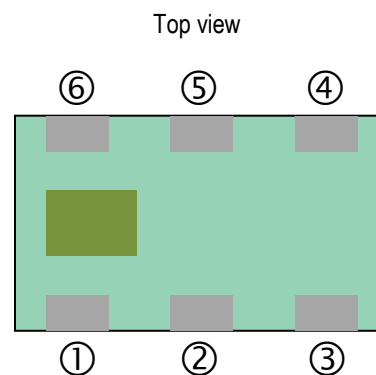
Mechanical Dimensions

	Inches			Millimeters		
L	0.079	±	0.006	2.00	±	0.15
W	0.047	±	0.006	1.20	±	0.15
T	0.035	±	0.004	0.90	±	0.10
a	0.012	±	0.006	0.30	±	0.15
b	0.008	±	0.006	0.20	±	0.15
c	0.012	±	0.006	0.30	±	0.15
g	0.014	±	0.006	0.35	±	0.15
p	0.026	±	0.006	0.65	±	0.15



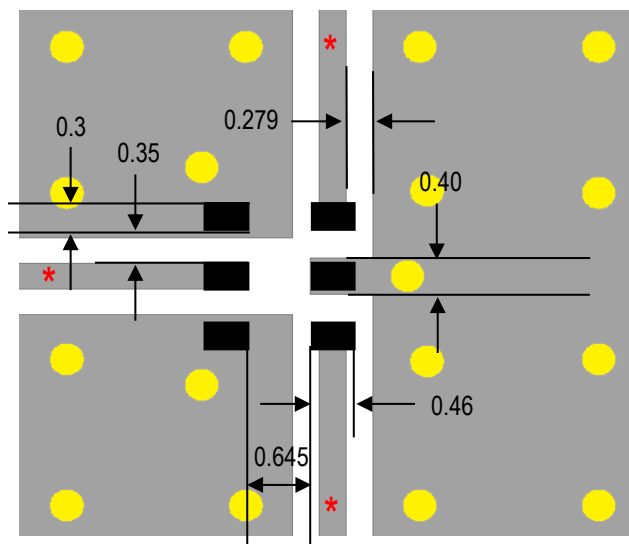
Terminal Configuration²

Pin Number	Function
1	GND
2	Common Port
3	GND
4	Lower Freq. Port
5	GND
6	Higher Freq. Port



² The termination type is Nickel Tin. Go to: <https://www.johansontechnology.com/tech-notes/typical-soldering-profile-ipc> for Typical Soldering Profile.


Recommended PCB Layout



Units in mm

 Solder Resist

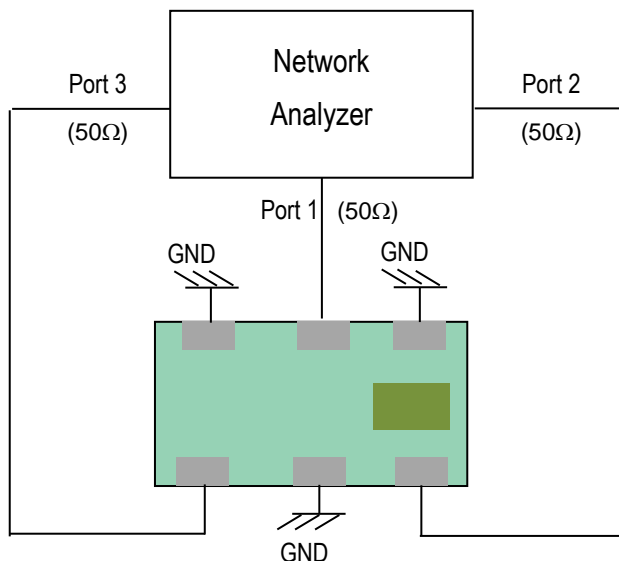
 Land

 Through-hole ($\phi 0.35$)

* Transmission line width should be designed to match 50 Ω characteristic impedance, depending on PCB material and thickness.

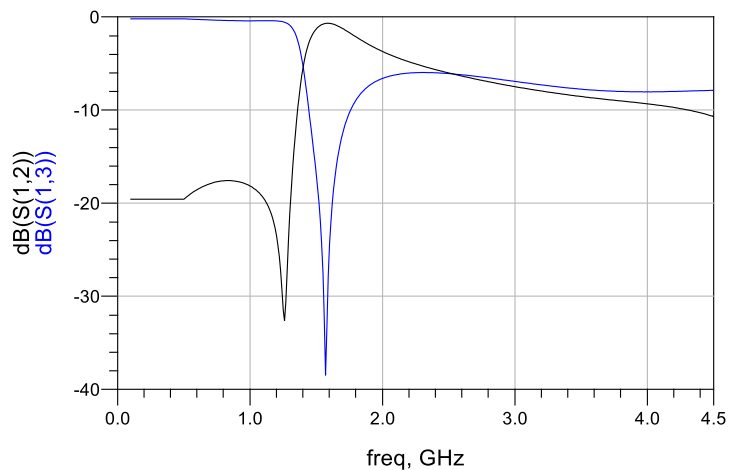
If you would like the CAD PCB layout or have any technical questions, please contact our application engineers at <https://www.johansontechnology.com/ask-a-question>

Measuring Diagram

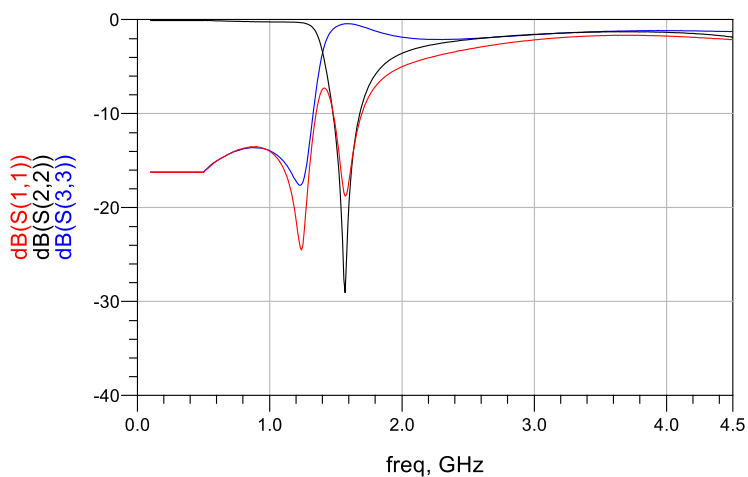


RF Measurements (T = 25°C)

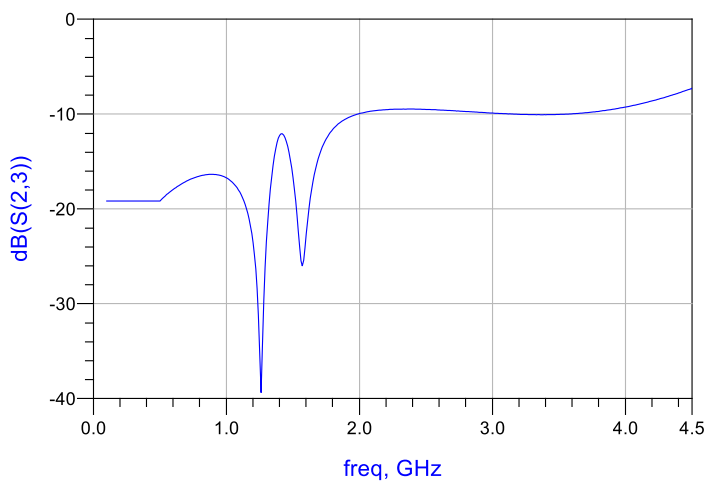
Insertion Loss and Attenuation



Return Loss

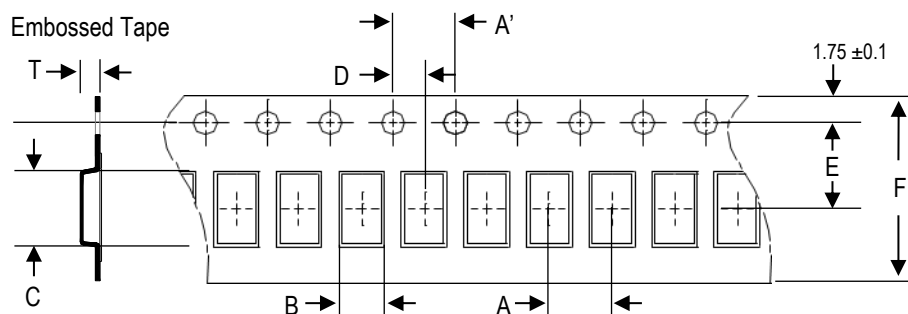


Isolation



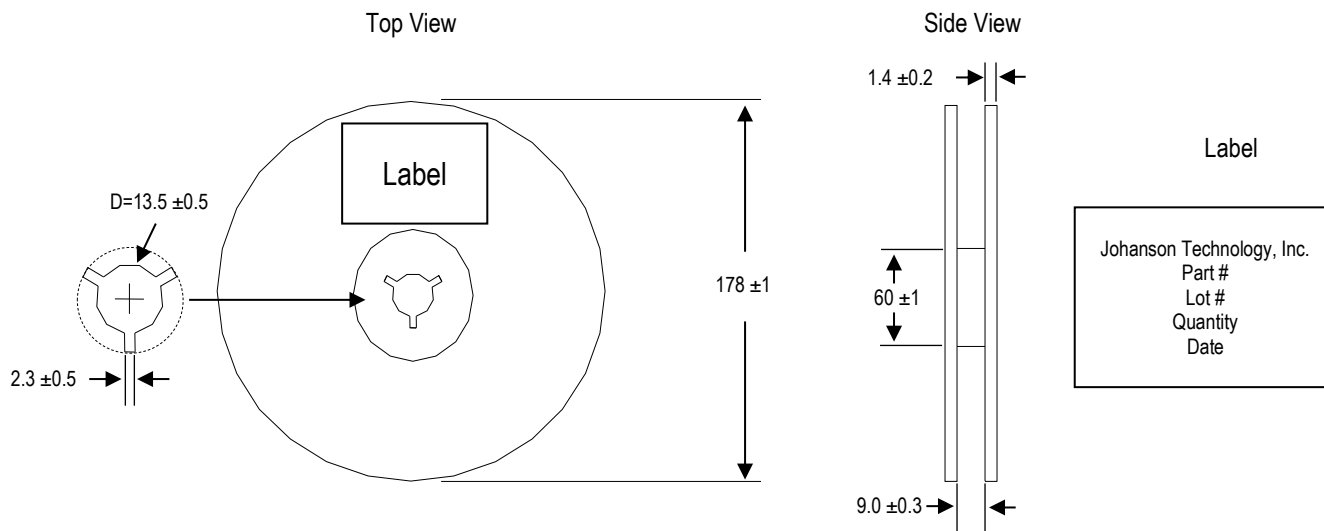
Tape and Reel Specification (Units in mm)

Tape Dimensions

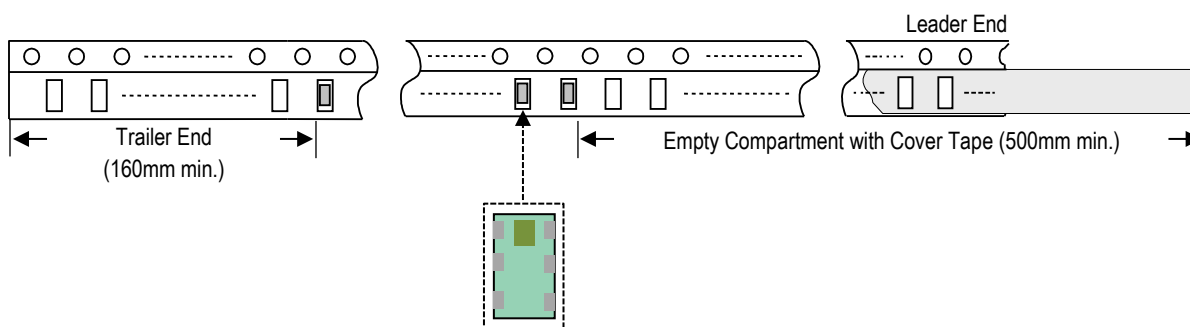


A	A'	B	C	D	E	F	T	Quantity/reel	Tape material
4.0 ±0.1	4.0 ±0.1	1.35 ±0.05	2.15 ±0.05	2.0 ±0.05	3.5 ±0.1	8.0 ±0.1	1.0 ±0.05	4,000pcs.	Plastic (Embossed)

Reel Dimensions



Leader and Trailer Dimensions



Orderable Part Numbers

Packaging Style	Part Number	Termination
Bulk (loose pcs.)	1224DP15A1572001B	Nickel Tin
T & R (7" Reel Embossed Tape)	1224DP15A1572001E (Qty: 4,000 pcs/reel)	
Evaluation Board with 3 SMA Connector	1224DP15A1572001CE1	

Important Links

[1224DP15A1572001E Product Page](#)

[More RF Diplexers](#)

[Soldering Information](#)

[MSL Information](#)

[Packaging Information](#)

[Recommended Storage Condition and Max Shelf Life](#)

[RoHS Compliance](#)

**Johanson Technology, Inc. reserves the right to make design changes without notice.
All sales are subject to Johanson Technology, Inc. terms and conditions.**