

High Frequency Ceramic Solutions

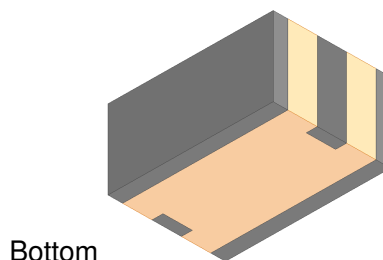
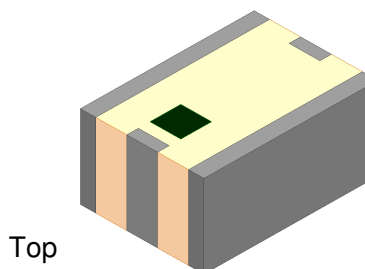
5.23GHz High Rejection UNII-low Band Pass Filter

P/N 5235BP44A0180

Detail Specification: 9/21/2021

Page 1 of 4

General Specifications	
Part Number	5235BP44A0180
Frequency (MHz)	5170 - 5330
Insertion loss (dB)	2.2 typ. (2.6 max.)
Return Loss (dB)	9.5 min.
Ripple (dB)	1.5 max.
Attenuation (dB)	34 typ. (30 min.) @2400 - 2500MHz 42 typ. (40 min.) @5490 - 5835MHz 45 typ. (38 min.) @5925 - 7125MHz 28 typ. (25 min.) @10340 - 10660MHz
Power Capacity (W)	3 max. (CW)
Operating Temperature	-40 to +95°C
Recommended Storage Conditions and Period for unused Product on T&R	+5 to +35°C Humidity 45 - 75% RH 18 months max.
Reel Quantity (pcs./reel)	1,000



You can download measured s-parameters of this component at: <https://www.johansontechnology.com/band-pass-filters>

Part Number Explanation				
P/N Suffix	Packaging Style	Bulk (loose pcs.)	Suffix = S	E.g. 5235BP44A0180S
		T & R	Suffix = E	E.g. 5235BP44A0180E
	Evaluation Board	50Ω SMA	Suffix = EB1SMA	E.g. 5235BP44A0180-EB1SMA

Mechanical Dimensions		
	In	mm
L	0.177 ± 0.008	4.50 ± 0.20
W	0.126 ± 0.008	3.20 ± 0.20
T	0.087 max.	2.20 max.
a	0.016 ± 0.008	0.40 ± 0.20
b	0.031 ± 0.008	0.80 ± 0.20
c	0.012 ± 0.006	0.30 ± 0.15

Terminal Configuration	
No.	Function
1	GND
2	INPUT / OUTPUT
3	GND
4	INPUT / OUTPUT

Johanson Technology, Inc. reserves the right to make design changes without notice.

All sales are subject to Johanson Technology, Inc. terms and conditions.



Ver. 2.0

<https://www.johansontechnology.com>

4001 Calle Tecate • Camarillo, CA 93012, USA • TEL +1.805.389.1166

2021 Johanson Technology, Inc. All Rights Reserved

High Frequency Ceramic Solutions

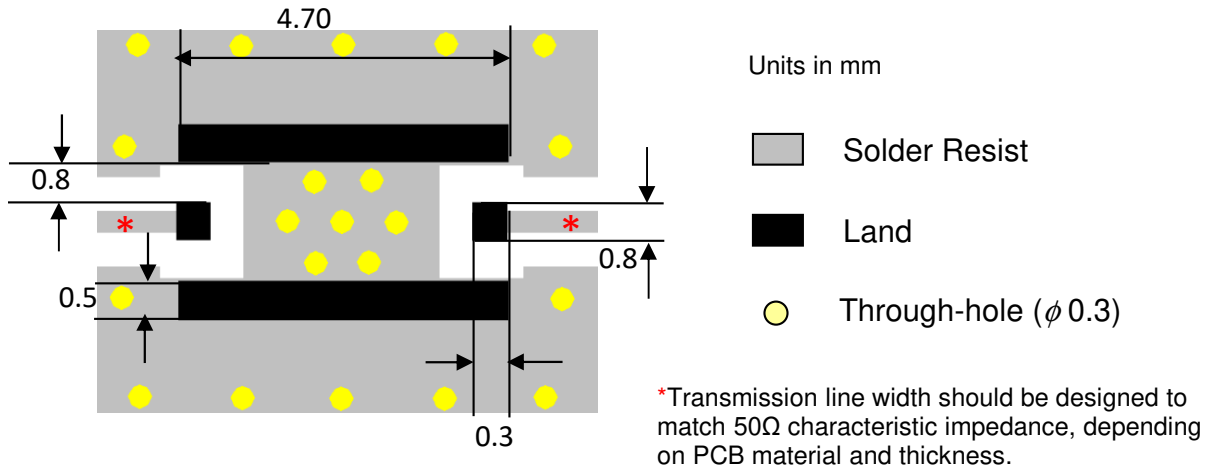
5.23GHz High Rejection UNII-low Band Pass Filter

P/N 5235BP44A0180

Detail Specification: 9/21/2021

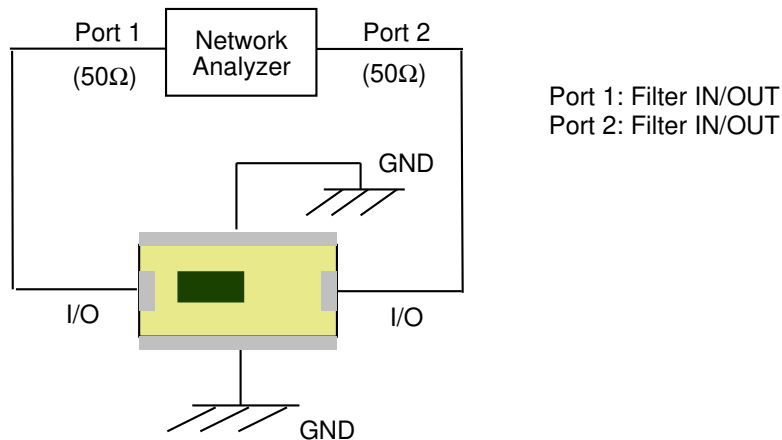
Page 2 of 4

Mounting Considerations



Would you like the layout? Send us a message at: <https://www.johansontechnology.com/ask-a-question>

Measuring Diagram



Johanson Technology, Inc. reserves the right to make design changes without notice.

All sales are subject to Johanson Technology, Inc. terms and conditions.



Ver. 2.0

<https://www.johansontechnology.com>

4001 Calle Tecate • Camarillo, CA 93012, USA • TEL +1.805.389.1166

2021 Johanson Technology, Inc. All Rights Reserved

High Frequency Ceramic Solutions

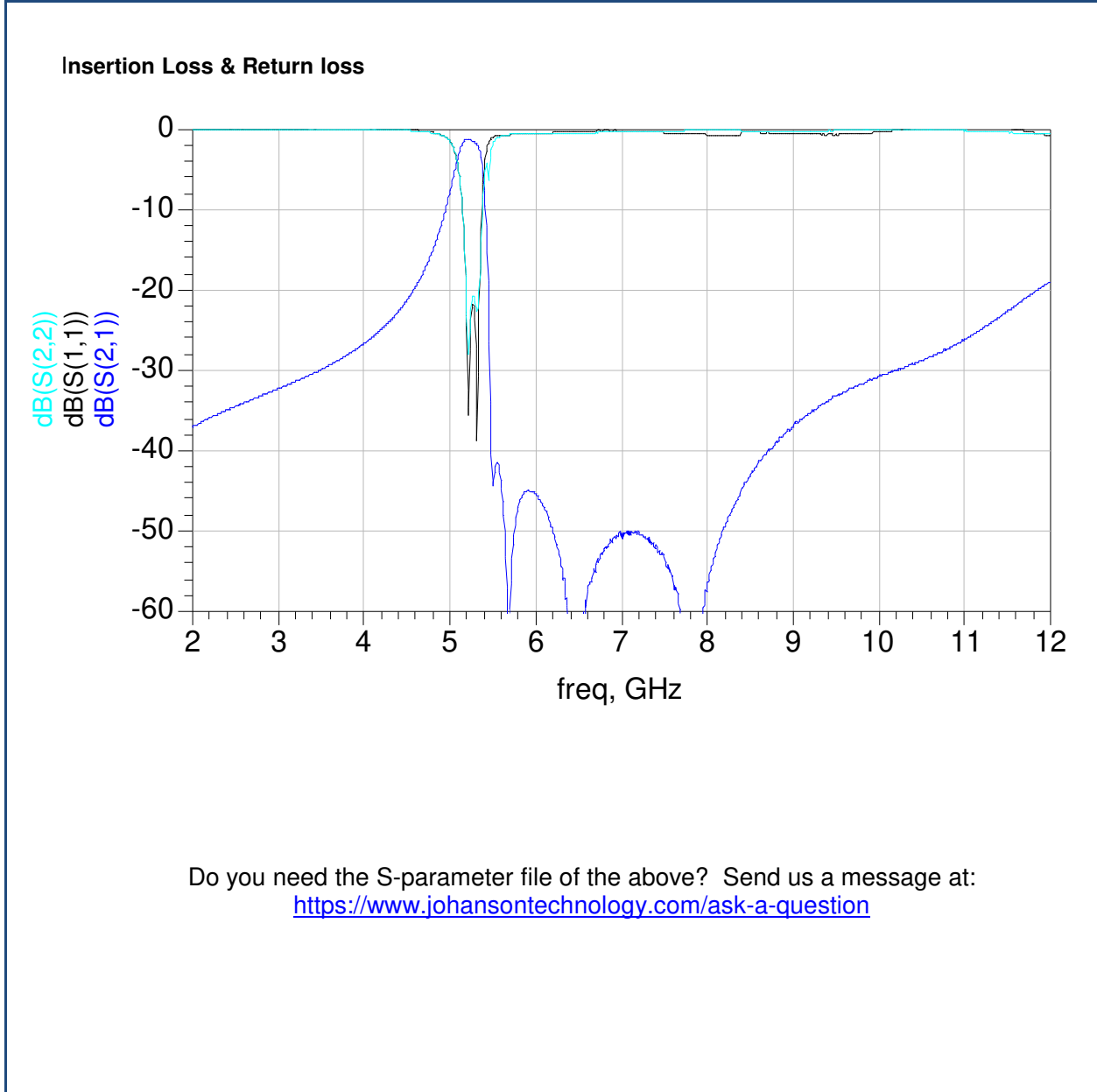
5.23GHz High Rejection UNII-low Band Pass Filter

P/N 5235BP44A0180

Detail Specification: 9/21/2021

Page 3 of 4

Typical Electrical Characteristics (T=25°C)



Johanson Technology, Inc. reserves the right to make design changes without notice.

All sales are subject to Johanson Technology, Inc. terms and conditions.



Ver. 2.0

<https://www.johansontechnology.com>

4001 Calle Tecate • Camarillo, CA 93012, USA • TEL +1.805.389.1166

2021 Johanson Technology, Inc. All Rights Reserved

High Frequency Ceramic Solutions

5.23GHz High Rejection UNII-low Band Pass Filter

P/N 5235BP44A0180

Detail Specification: 9/21/2021

Page 4 of 4

Application Notes, Layout Files, and more

<https://www.johansontechnology.com/band-pass-filters>

Packaging information

<https://www.johansontechnology.com/tape-reel-packaging>

Soldering Information

<https://www.johansontechnology.com/ipcsoldering-profile>

MSL Info

<https://www.johansontechnology.com/msl-rating>

Recommended Storage Condition and Max Shelf Life

<https://www.johansontechnology.com/recommended-storage-conditions>

RoHS Compliance

<https://www.johansontechnology.com/rohs-compliance>

Antenna layout and tuning techniques

<https://www.johansontechnology.com/tuning>

Antenna layout review, tuning, and characterization services

<https://www.johansontechnology.com/ipc-antenna-services>

Johanson Technology, Inc. reserves the right to make design changes without notice.

All sales are subject to Johanson Technology, Inc. terms and conditions.



Ver. 2.0

<https://www.johansontechnology.com>

4001 Calle Tecate • Camarillo, CA 93012, USA • TEL +1.805.389.1166

2021 Johanson Technology, Inc. All Rights Reserved