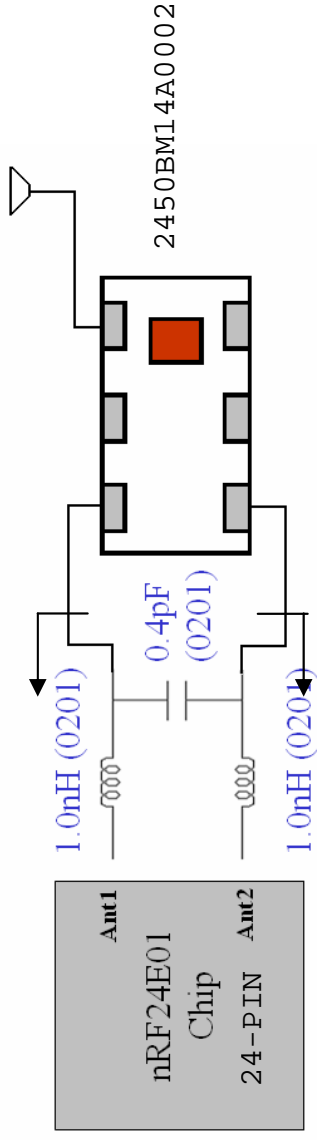
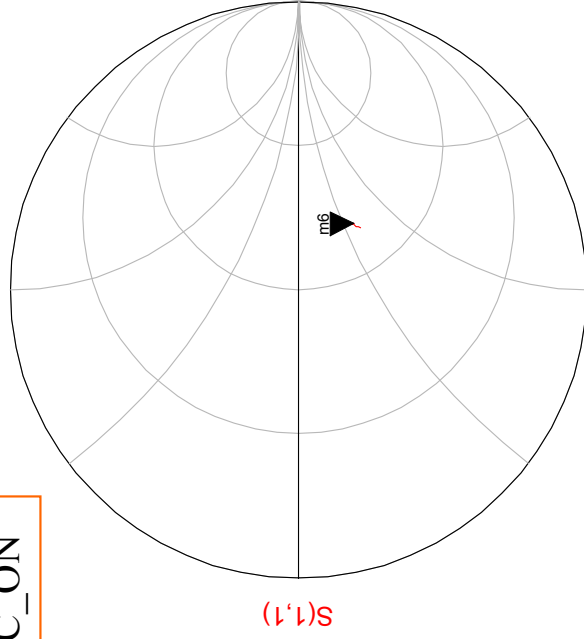


Recommended Matching for 24-pin nRF24E01



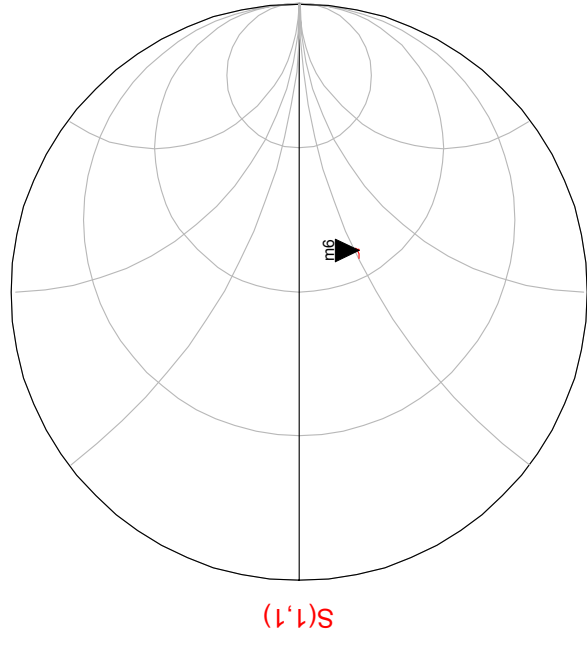
EVB_V2
DC_ON



freq (2.400GHz to 2.500GHz)

```
m6
freq=2.450GHz
S(1,1)=0.229 -j0.190
impedance = 72.285 - j30.147
```

With External L/C
Matching Circuit



freq (2.400GHz to 2.500GHz)

```
m6
freq=2.450GHz
S(1,1)=0.146 -j0.204
impedance = 60.732 - j26.495
```

Very close to the input
impedance of original chip &
filter balun 2450BM14A0002
(nRF24L01 24pin)