

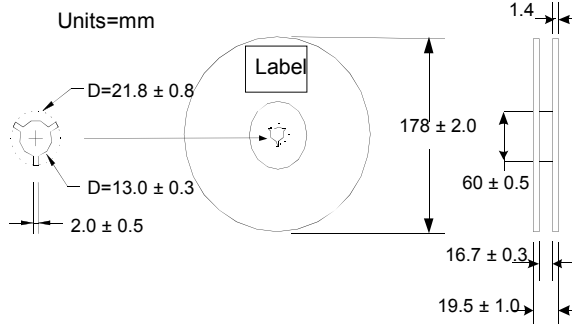
"High Frequency Ceramic Solutions"

RF Ceramic Antenna Packaging

Detail Specification: 5/23/2017

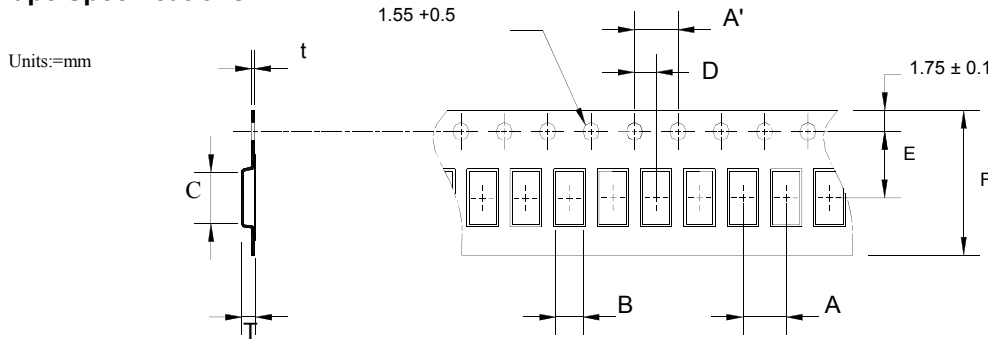
Page 1 of 2

Reel Specifications



JTI Size Code	Size Metric	Reel Quantity
AT07	1005	10,000
AT14	1608	4,000
AT18	3216	3,000
AT42	5020	2,000
AT43	7020	1,000
AT44	7635	1,000
AT45	9520	1,000
AT46	8516	1,000
AT47	R130	1,000

Tape Specifications



Size Code	Size Metric	A	A'	B	C	D	E	F	t	T
AT07	1005	2.0 ± 0.05	4.0 ± 0.1	0.62 ± 0.03	1.12 ± 0.03	2.0 ± 0.05	3.5 ± 0.05	8.0 ± 0.1	0.20 ± 0.05	1.0 Max.
AT14	1608	4.0 ± 0.1	4.0 ± 0.1	0.95 ± 0.1	1.80 ± 0.1	2.0 ± 0.1	3.5 ± 0.1	8.0 ± 0.1	0.20 ± 0.05	1.0 Max.
AT18	3216	4.0 ± 0.1	4.0 ± 0.1	1.90 ± 0.1	3.50 ± 0.1	2.0 ± 0.1	5.5 ± 0.1	12 ± 0.2	0.20 ± 0.05	1.40 Max.
AT42	5020	4.0 ± 0.1	4.0 ± 0.1	2.40 ± 0.1	5.50 ± 0.1	2.0 ± 0.1	5.5 ± 0.1	12 ± 0.2	0.20 ± 0.05	1.40 Max.
AT43	7020	4.0 ± 0.1	4.0 ± 0.1	2.40 ± 0.1	7.30 ± 0.1	2.0 ± 0.1	5.5 ± 0.1	12 ± 0.2	0.22 ± 0.05	1.55 Max.
AT44	7635	8.0 ± 0.1	4.0 ± 0.1	3.75 ± 0.1	7.85 ± 0.1	2.0 ± 0.1	7.5 ± 0.1	16 ± 0.2	0.30 ± 0.05	1.40 Max.
AT45	9520	4.0 ± 0.1	4.0 ± 0.1	2.30 ± 0.1	9.70 ± 0.1	2.0 ± 0.1	7.5 ± 0.1	16 ± 0.2	0.22 ± 0.05	1.45 Max.
AT46	8516	4.0 ± 0.1	4.0 ± 0.1	1.85 ± 0.1	8.70 ± 0.1	2.0 ± 0.1	7.5 ± 0.1	16 ± 0.2	0.25 ± 0.05	1.40 Max.
AT47	R130	8.0 ± 0.1	4.0 ± 0.1	3.35 ± 0.1	10.35 ± 0.1	2.0 ± 0.1	7.5 ± 0.1	16 ± 0.2	0.25 ± 0.05	1.40 Max.

Johanson Technology, Inc. reserves the right to make design changes without notice.

All sales are subject to Johanson Technology, Inc. terms and conditions.



www.johansontechnology.com

4001 Calle Tecate • Camarillo, CA 93012 • TEL 805.389.1166 FAX 805.389.1821

2017 Johanson Technology, Inc. All Rights Reserved

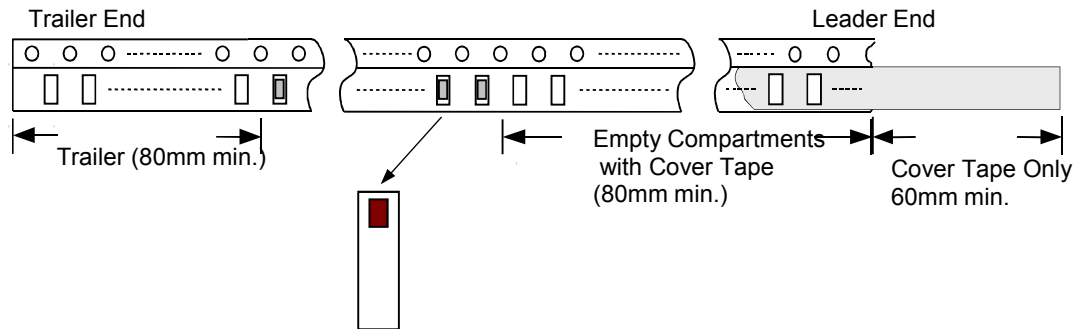
"High Frequency Ceramic Solutions"

RF Ceramic Antenna Packaging

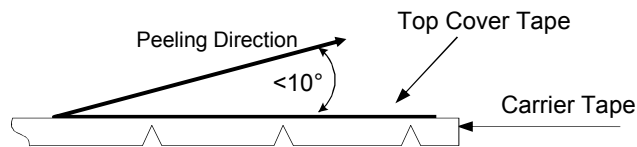
Detail Specification: 5/23/2017

Page 2 of 2

Tape Specifications



Tape Peel Strength



Peel-off force should be in the range of 0.1 – 0.6 N at a peel-off speed of 300 ± 10 mm/min.

Storage Conditions

- (1) Temperature: 15 to 35°C, Relative Humidity (RH): 45 to 75%.
- (2) Non-corrosive environment
- (3) Products should be used within six months of receipt.

Johanson Technology, Inc. reserves the right to make design changes without notice.

All sales are subject to Johanson Technology, Inc. terms and conditions.



www.johansontechnology.com

4001 Calle Tecate • Camarillo, CA 93012 • TEL 805.389.1166 FAX 805.389.1821

2017 Johanson Technology, Inc. All Rights Reserved